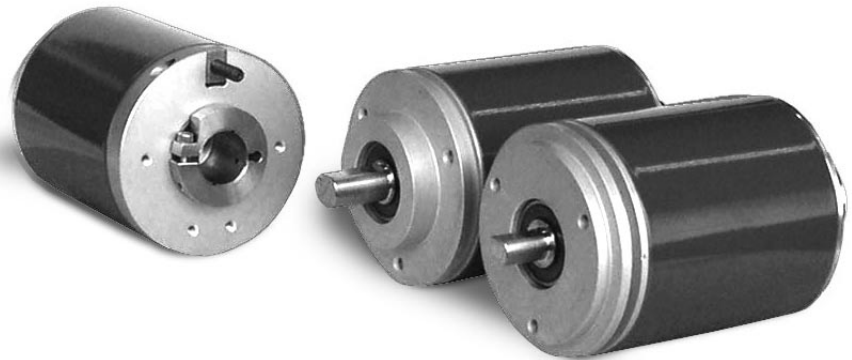


# ROTACOD

Absolute multi turn encoders

series

AM58 • AM58S • AMC58



AM58-AM58S-AMC58

## ENVIRONMENTAL SPECIFICATIONS

Shock:	100 g, 6 ms (acc. to MIL STD 202F)
Vibrations:	10 g, 5-2000 Hz (acc. to MIL STD 202F)
Operating temperature range:	-20°C +70°C (-4°F +158°F)
Storage temperature range:	-20°C +80°C (-4°F +176°F) (98% R.H.without condensation)
Protection:	IP65
Option:	• Operating temperature range: -40°C +100°C (-40°F +212°F)

## MECHANICAL SPECIFICATIONS

Dimensions:	see drawing
Shaft:	Ø 6, 8, 9.52, 10, 12, 14, 15 mm
Shaft loading (axial and radial):	100 N max.
Shaft rotational speed:	6000 rpm max.
Moment of inertia:	80 gcm <sup>2</sup>
Bearing life:	400x10 <sup>6</sup> rev. min. (10 <sup>6</sup> rev. min. with shaft loading of 20 N max.)
Weight:	~0,3 kg (10,6 oz)
Electrical connections (see on page 62):	E32MLP, E10MLP, E7MLP MIL connector
Options:	• EDB 25P DSub connector • Cable output 1 m (see on page 62)

## ELECTRICAL SPECIFICATIONS

STD codes:	Gray, Binary
Power supply:	+10V +30V
Power consumption:	1,5 W
Output circuits:	NPN o.c., PNP o.c., Push-Pull, SSI
Output current:	40 mA max.
Output frequency:	60 kHz max.
Accuracy:	± 30% LSB
Protection:	Protected against inversion of polarity, Push-Pull protected against short-circuit
Optoelectronic life:	100.000 h min.
Options:	• LATCH output • TRI-STATE output • Electronic parity bit • Electronic zero setting

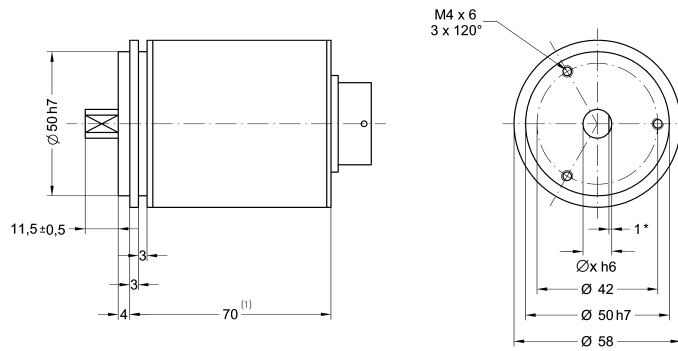
## MATERIALS

Housing:	non corroding
Flange:	non corroding
Bearings:	ABEC 5
Shaft:	stainless steel, non-magnetic
Light source:	GaAl diodes

## ACCESSORIES

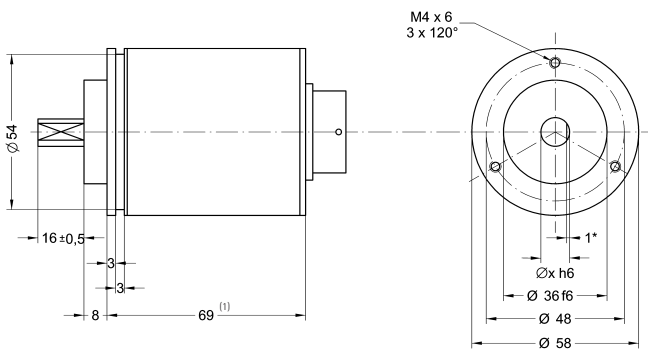
E32MLS:	32 pin MIL mating connector
E7MLS:	7 pin MIL mating connector
E10MLS:	10 pin MIL mating connector
EDB 25S:	25 pin DSub mating connector
PAN/PGF:	flexible couplings
BR1:	reducing sleeves
LKM-386:	fixing clamps

Specifications subject to changes without prior notice



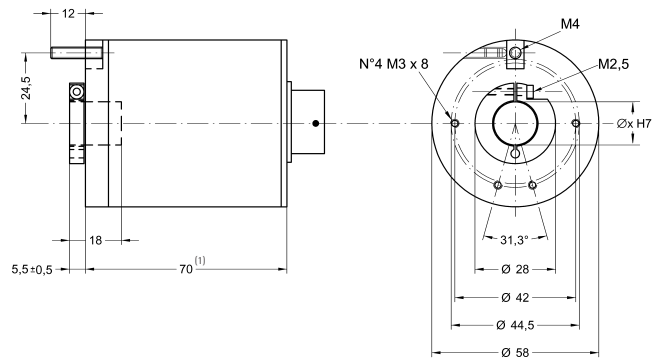
\* =0,5mm with Ø6 shaft

AM58



\* =0,5mm with Ø6 shaft

AM58S

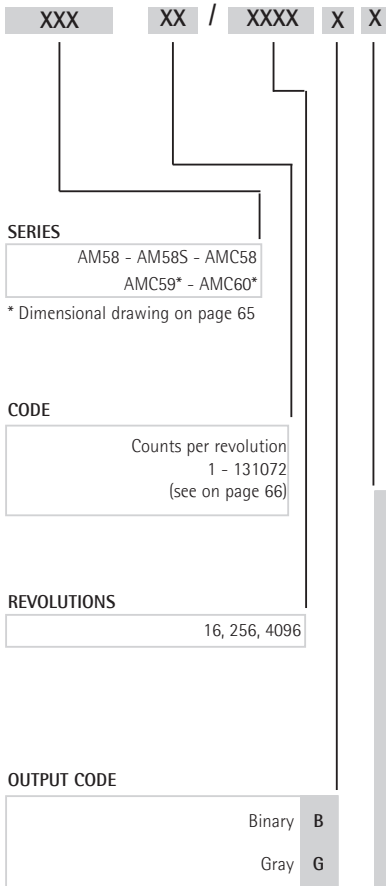


AMC58

(1) Mechanical dimensions with connector output see on page 64

ORDERING CODE

ADDITIONAL CODE (indicate only if necessary)



SHAFT DIAMETER

6	6 mm
8	8 mm
9,52	9,52 mm/ 3/8"
10	10 mm
12	12 mm

SHAFT DIAMETER

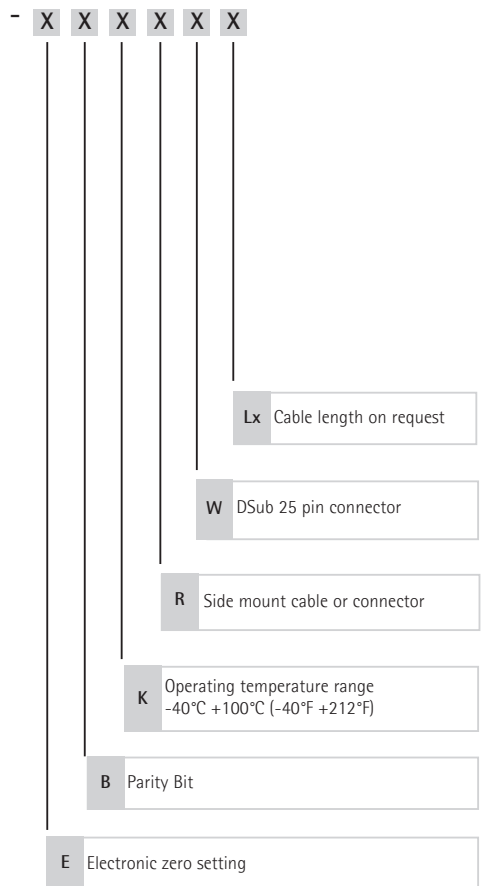
14	14 mm
15	15 mm

AMCxx  
Reducing sleeves see on page 75

AM58 - AM58S

OUTPUT CIRCUITS

N	NPN o.c.
P	PNP o.c.
Y	Push-Pull
S	SSI serial output RS422 tree format (connector)
R	SSI serial output RS422 tree format (cable)
A	SSI serial output RS422 LSB aligned (connector)
B	SSI serial output RS422 LSB aligned (cable)
on request	
L	LATCH (NPN)
M	LATCH (PNP)
H	LATCH (Push-Pull)
T	TRI-STATE (NPN)
U	TRI-STATE (PNP)
E	LATCH+TRI-STATE (PNP)
F	LATCH+TRI-STATE (NPN)



\* see notes on pag. 69