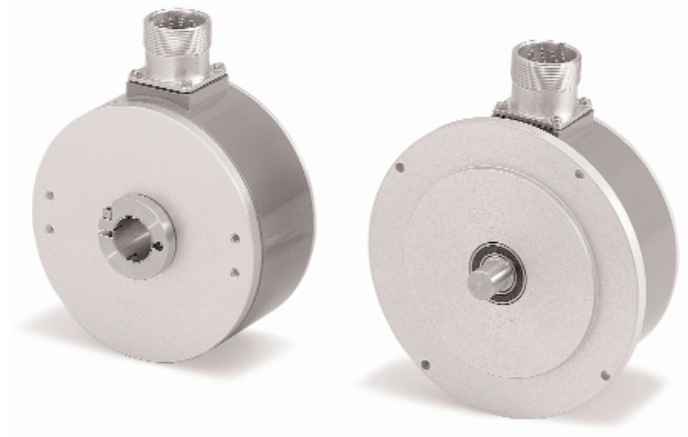


# ROTACOD

Absolute multi turn encoders

series

AM9 • AMC9



AM9-AMC9

## ENVIRONMENTAL SPECIFICATIONS

Shock:	100 g, 6 ms (acc. to MIL STD 202F)
Vibrations:	10 g, 5-2000 Hz (acc. to MIL STD 202F)
Operating temperature range:	-20°C +70°C (-4°F +158°F)
Storage temperature range:	-20°C +80°C (-4°F +176°F)
	(98% R.H.without condensation)
Protection:	IP65
Option:	• Operating temperature range: -40°C +100°C (-40°F +212°F)

## MECHANICAL SPECIFICATIONS

Dimensions:	see drawing
Shaft:	Ø 10, 15 mm
Shaft loading (axial and radial):	100 N max.
Shaft rotational speed:	6000 rpm max.
Moment of inertia:	80 gcm <sup>2</sup> max.
Bearing life:	400x10 <sup>6</sup> rev. min. (10 <sup>6</sup> rev. min. with shaft loading of 20 N max.)
Weight:	~ 0,4 kg (14,1 oz)
Electrical connections:	EML121H CONNEL connector

## ELECTRICAL SPECIFICATIONS

STD codes:	Gray, Binary
Power supply:	+10V +30V
Power consumption:	1,5 W
Output circuits:	SSI
Output current:	40 mA max.
Output frequency:	100 kHz max.
Accuracy:	± 20% LSB
Protection:	Protected against inversion of polarity
Optoelectronic life:	100.000 h min.
Options:	• Electronic parity bit • Electronic zero setting

## MATERIALS

Housing:	non corroding
Flange:	non corroding
Bearings:	ABEC 5
Shaft:	stainless steel, non-magnetic
Light source:	GaAl diodes

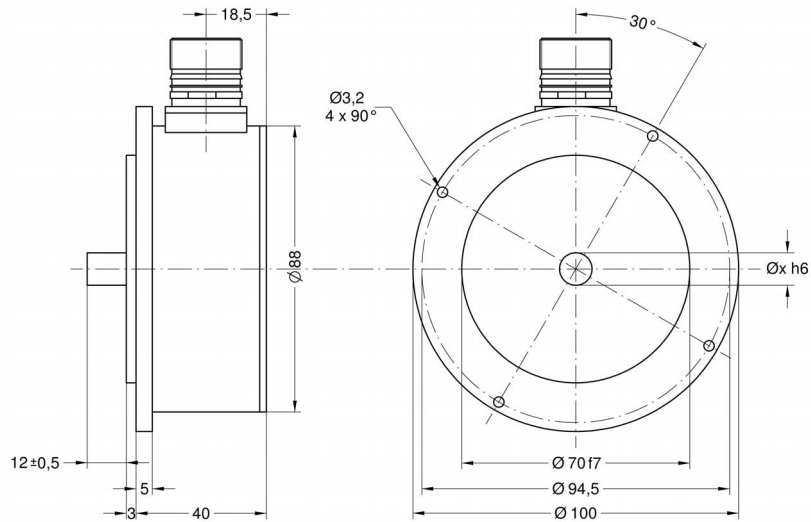
## ELECTRICAL CONNECTIONS

### 12 pin CONNEL mating connector

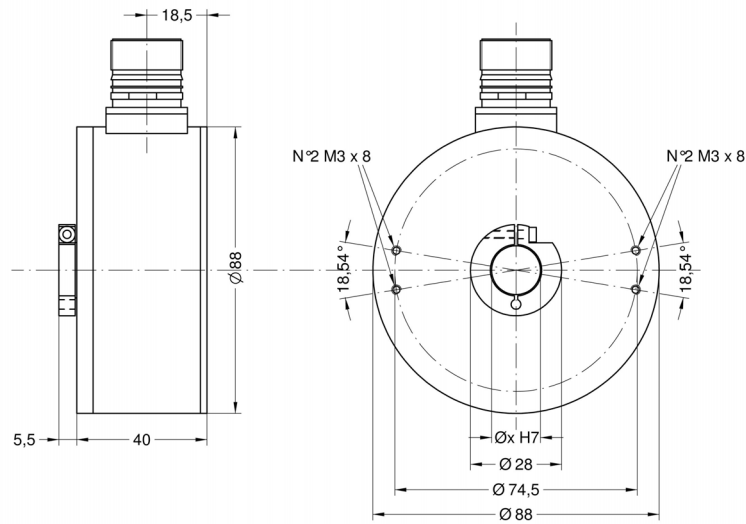
1	0 Vdc GND	7	n.c.
2	Data out +	8	+10Vdc +30Vdc
3	Clock in +	9	n.c.
4	n.c.	10	Data out -
5	Complementary	11	Clock in -
6	n.c.	12	Zero setting

## ACCESSORIES

EPFL121H:	12 pin CONNEL mating connector
PAN/PGF:	flexible couplings
BR1:	reducing sleeves
LKM-386:	fixing clamps



AM9



AMC9

ORDERING CODE

ADDITIONAL CODE (indicate only if necessary)

