

ROTAPULS

Incremental encoder

series

C50



- Small size incremental encoder
- Operating temperature -40°C +100°C
- DC and AC motor feedback
- Preferential encoder on stock



C50



www.lika.biz
 • Data-sheet
 • User manual

ENVIRONMENTAL SPECIFICATIONS

Shock:	100 g, 6 ms (acc. to MIL STD 202F)
Vibrations:	10 g, 5-2000 Hz (acc. to MIL STD 202F)
Operating temperature range:	-40°C +100°C (-40°F +212°F)
Storage temperature range:	-40°C +100°C (-40°F +212°F) (98% R.H.without condensation)
Protection:	IP65
Option:	• IP54 Protection (low inertia bearings, 10000 rpm for short periods)

MECHANICAL SPECIFICATIONS

Dimensions:	see drawing
Shaft hollow:	Ø 6, 6.35, 8, 9.52, 10 mm
Shaft loading (axial and radial):	20 N max.
Shaft rotational speed:	6000 rpm max.
Starting torque at 20°C:	≤ 0,25 Ncm (typical)
Moment of inertia:	~ 20 gcm ²
Bearings life:	10 ⁹ rev. min.
Weight:	~ 0,1 kg (3,5 oz)

ELECTRICAL SPECIFICATIONS

STD pulse rate:	100-180-200-250-256-300-360-400-500-512-600 1000-1024
Power supply:	+5V±5%, +10V +30V,+5V +30V
Output circuits:	Push-Pull, Line Driver, PP/LD
Output current (per channel):	40 mA max.
Output frequency:	100 kHz max.
Input current:	70 mA max.
Protection:	against inversion of polarity (except +5V version)
Optoelectronic life:	100.000 hrs min.

MATERIALS

Flange:	zamac die cast
Housing:	zamac die cast
Bearings:	ABEC 5
Shaft:	stainless steel, non-magnetic - UNI EN 4305
Light source:	GaAl diodes

ELECTRICAL CONNECTIONS

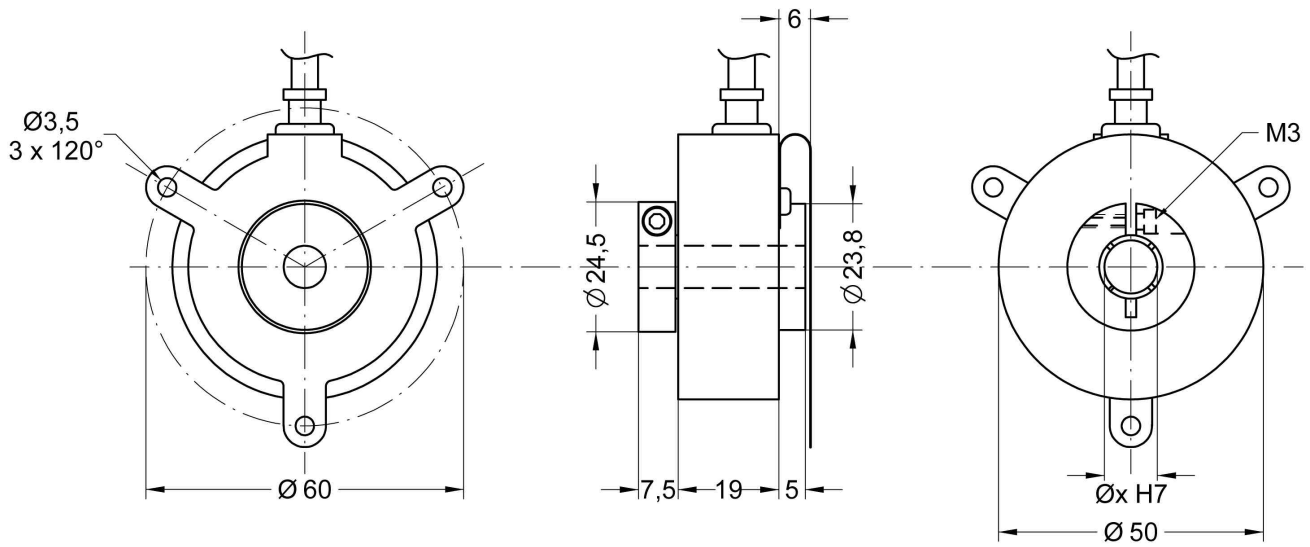
1	2	Function
Brown	Yellow	A
-	Blue	/A
Blue	Green	B
-	Orange	/B
White	White	0
-	Grey	/0
Red	Red	+Vdc
Black	Black	0 Vdc GND

1 = Shielded cable LIKA 5x0,22 mm²
 2 = Shielded cable LIKA 8x0,22 mm²

ACCESSORIES

EDE9S:	9 pin DSub mating connector
--------	-----------------------------

Specifications subject to changes without prior notice



C50

ORDERING CODE

ADDITIONAL CODE (indicate only if necessary)

