

ROTAPULS • ROTACOD

Miniature wire actuated transducer

series

SFME



- Space saving design
- Integrated encoder
- Measuring length 1500 mm



SFME



www.lika.biz
• Data-sheet

ENVIRONMENTAL SPECIFICATIONS

Operating temperature range: $-20^{\circ}\text{C} + 70^{\circ}\text{C}$ ($-4^{\circ}\text{F} + 158^{\circ}\text{F}$)
Protection: IP54

MECHANICAL SPECIFICATIONS

Dimensions: see drawing
Stroke per turn: 100 mm
Wire retraction force: $5 \div 15$ N
Measuring length: < 1500 mm
Measuring speed: 2,5 m/sec max.
Weight: $\sim 0,8$ kg
Connections: cable 2,0 m

ELECTRICAL SPECIFICATIONS

Power supply: +5Vdc +30Vdc
Output circuit: Universal circuit PP/LD
Resolution: 1 / 0,5 / 0,4 / 0,05 mm
Output current: 40 mA max.
Input current: 60 mA max.
Output signals: AB, /AB

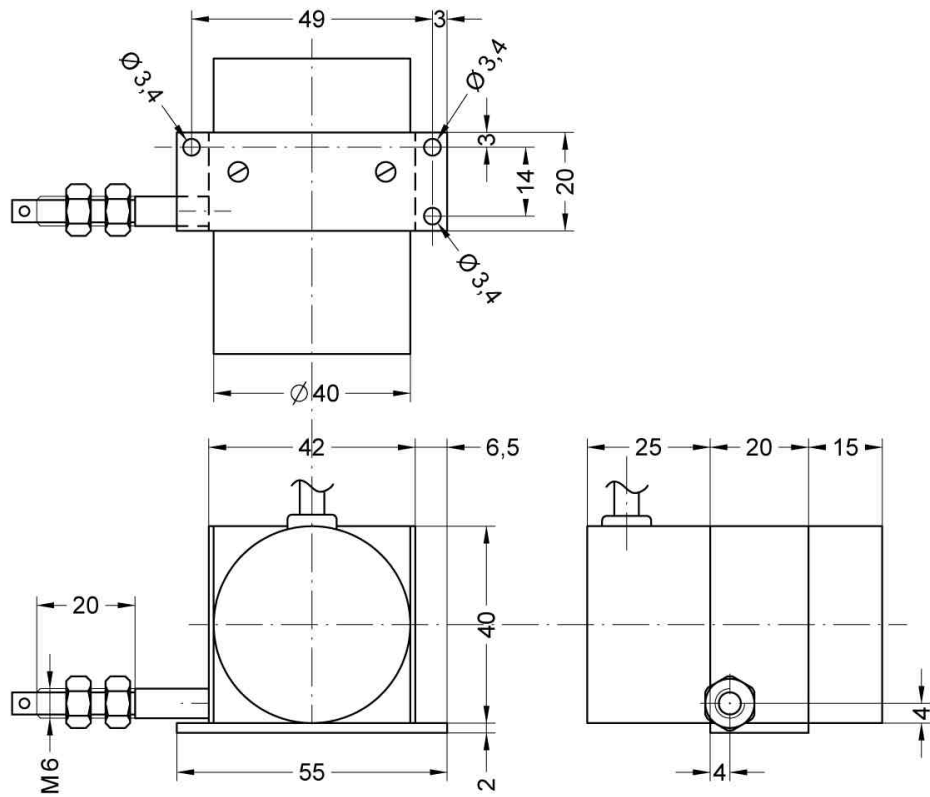
MATERIALIEN - MATERIALI USATI

Housing: Aluminium + plastic
Wire: Stainless steel

ELECTRICAL CONNECTIONS

Cable	Function
yellow	A
blue	/A
green	B
orange	/B
white	0
grey	/0
red	+Vdc
black	0 Vdc GND

cable LIKA 8x0,25 mm² (LIYCY)



SFME

ORDERING CODE

	XXXX	-	XXXX	-	X	XXX	X	X	
SERIES	SFME								Cable length on request: Lx Ex.: L2 = 2 meters L4 = 4 meters
MEASURING LENGTH	1500 mm					1500			POWER SUPPLY
OUTPUT CIRCUIT	PP/LD universal circuit					H			4 +5Vdc +30Vdc
									RESOLUTION
						100	1 mm (x4 = 0,25 mm)		
						200	0,5 mm (x4 = 0,125 mm)		
						250	0,4 mm (x4 = 0,1 mm)		
						500	0,2 mm (x4 = 0,05 mm)		