

# ROTAPULS • ROTACOD

Miniature wire actuated transducer

series

SFMP



- Space saving design
- Integrated potentiometer
- Measuring length up to 1000 mm



SFMP



[www.lika.biz](http://www.lika.biz)  
• Data-sheet

## ENVIRONMENTAL SPECIFICATIONS

Operating temperature range:	-20°C + 70°C (-4°F + 158°F)
Protection:	IP54

## MECHANICAL SPECIFICATIONS

Dimensions	see drawing
Stroke per turn:	100 mm
Wire retraction force:	5 ± 15 N
Measuring length:	300, 500, 1000 mm
Measuring speed:	2,5 m/sec max.
Weight:	~ 0,2 kg
Connections:	cable 2,0 m

## ELECTRICAL SPECIFICATIONS

Output:	resistance 0÷ 1, 5, 10, 20 kΩ
Tolerance:	± 5%
Linearity:	< 0,3%

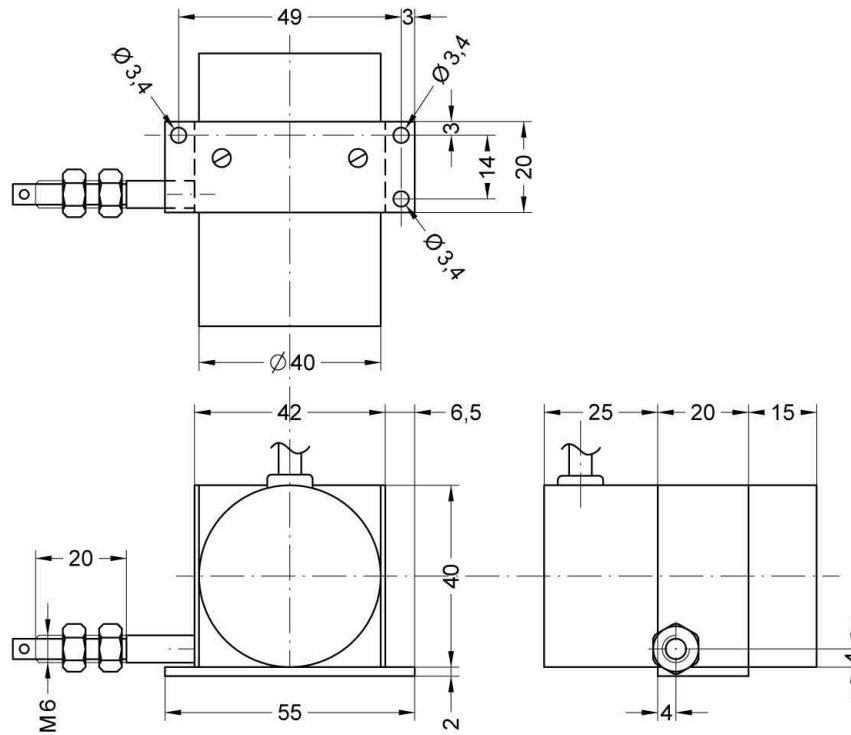
## MATERIALIEN - MATERIALI USATI

Housing:	Aluminium + plastic
Wire:	Stainless steel

## ELECTRICAL CONNECTIONS

Wire	Function
green	A (slider)
red	C+
black	C-

cable LIKA 3x0,25 mm<sup>2</sup> (LIYCY)



SFMP

ORDERING CODE

XXXX	-	XXXX	XX	-	X
SERIES					Cable length on request:
SFMP					Lx
					Ex.: L2 = 2 meters
					L4 = 4 meters
					POTENTIOMETER
MEASURING LENGTH			1		1 kΩ
300 mm		300	5		5 kΩ
500 mm		500	10		10 kΩ
1000 mm		1000	20		20 kΩ